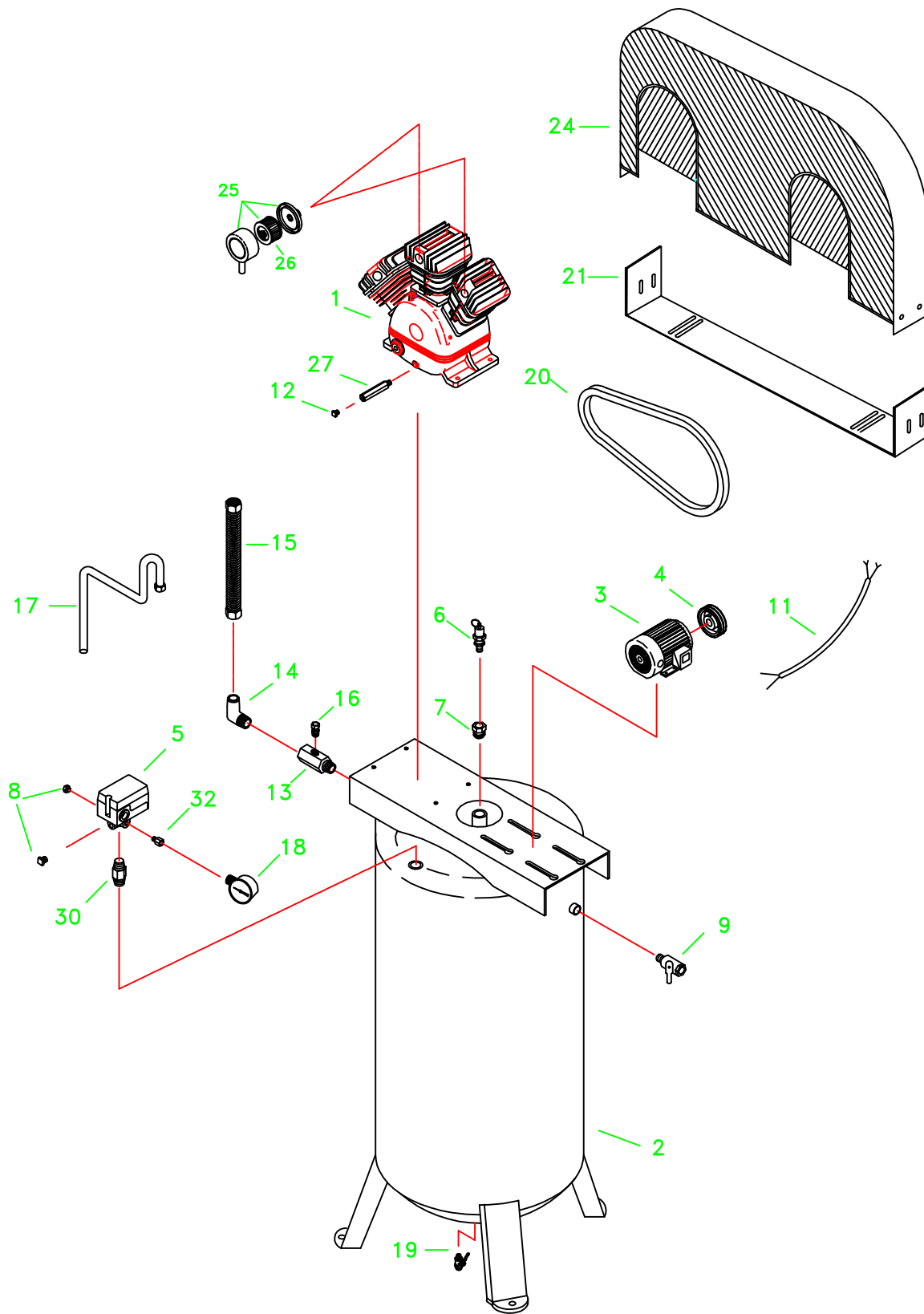


# PK-6560V



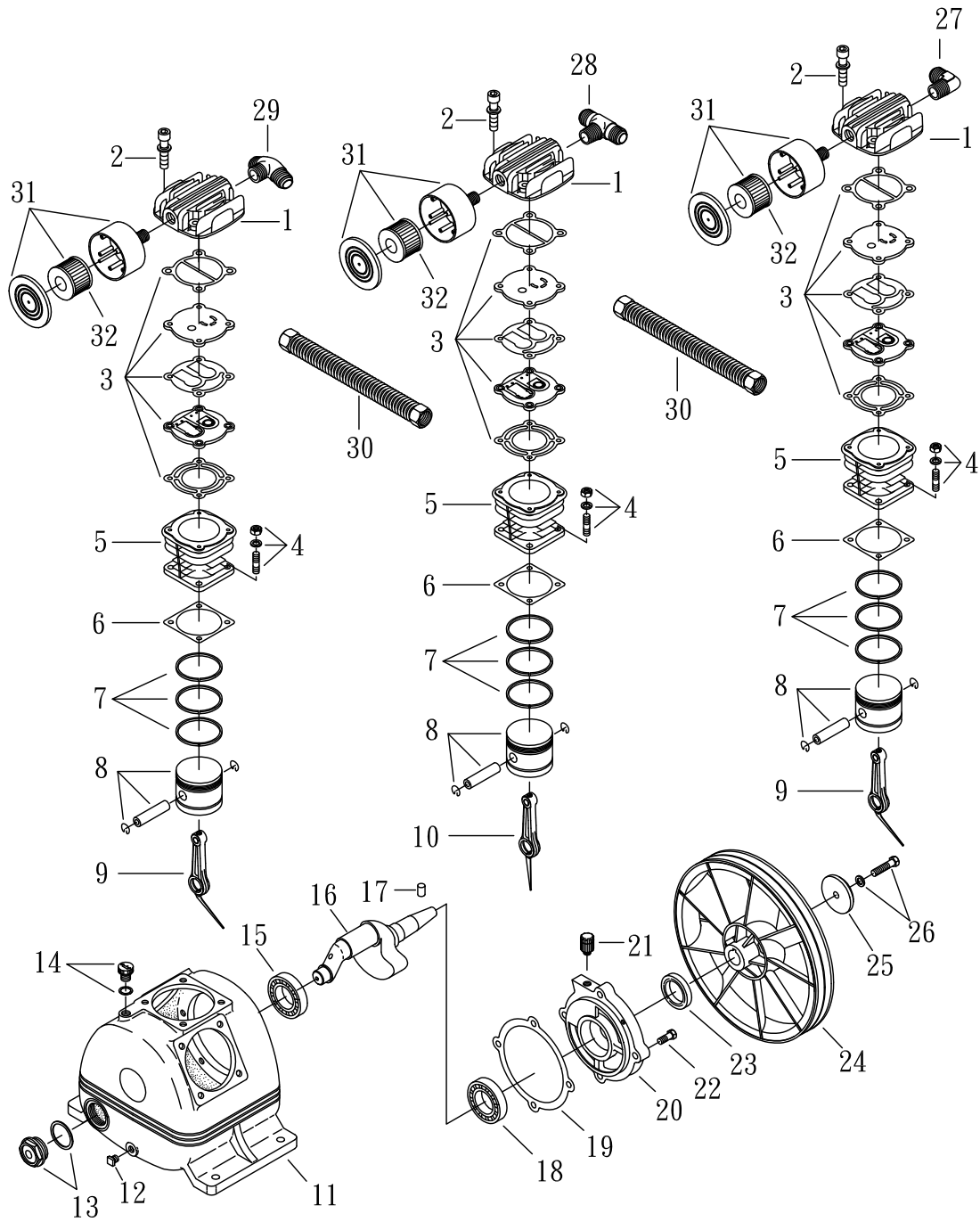
# PARTS LIST

Model: PK-6560V

VER.: UF-001

REF. NO.	PARTS ID.	PARTS DESCRIPTION	QUANTITY
1	PP65	PUMP	1.00
2	4001-60V	TANK	1.00
3	4027-65-21	MOTOR	1.00
4	1A35X07	PULLEY	1.00
5	056-SU125P4-001	PRESSURE SWITCH (95 ~ 125PSI)	1.00
6	84006009	PRESSURE RELIEF VALVE	1.00
7	050-06MN02FN	BUSHING	1.00
8	2B14-ST02E	PLUG	2.00
9	2413007	SERVICE VALVE	1.00
11	2E02-3530702Y2F	ELECTRIC CABLE	1.00
12	2N33-002	PLUG (OIL DRAIN)	1.00
13	CV1212M	CHECK VALVE	1.00
14	2N06-04T04H	ELBOW	1.00
15	3B2-04540	DISCHARGE TUBE	1.00
16	035-02RN01MN-00	NIPPLE (STRAIGHT TUBE FITTING)	1.00
17	063-CU01X760	TUBE (CHECK VALVE - PRESSURE SWITCH)	1.00
18	2D12-20V20K	PRESSURE GAUGE	1.00
19	2413020	DRAIN VALVE	1.00
20	2N31-A47	BELT (A47)	1.00
21	3427201	BRACKET - BOTTOM	1.00
24	3426092	BELT GUARD	1.00
25	2140019A	AIR FILTER ASSEMBLY	3.00
26	1807 (2142013)	FILTER ELEMENT	3.00
27	2305008	OIL DRAIN TUBE	1.00
30	035-02NX10-H00	NIPPLE	1.00
32	2N02-02T02NC	ADAPTOR	1.00

MODEL : PP65



SPARE PARTS LIST

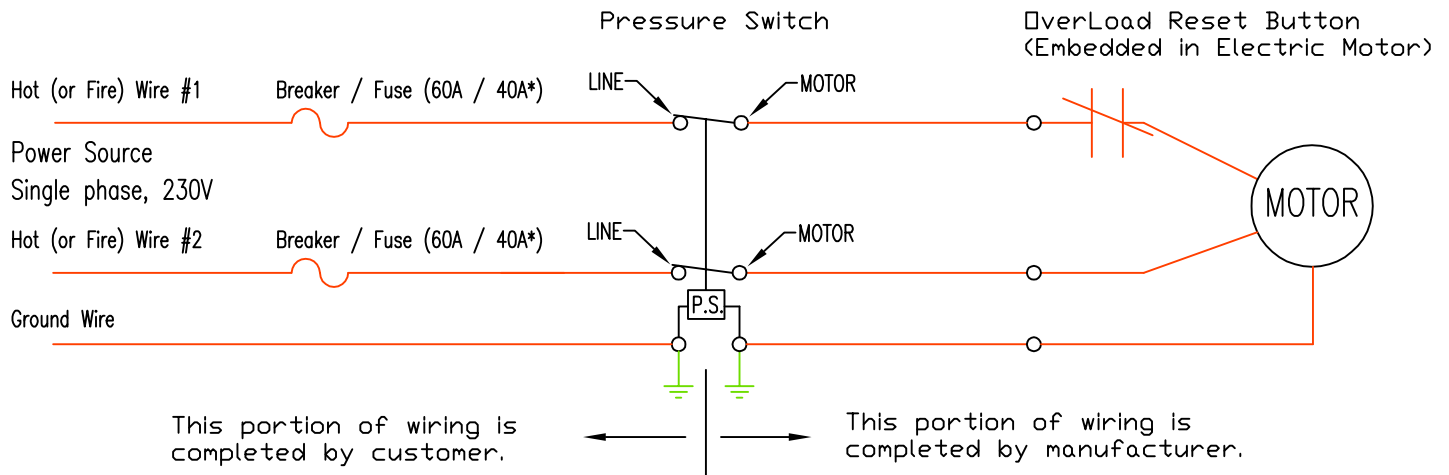
NO : MP-0908

REF. NO.	DESCRIPTION	PART NO.	QTY.	REF. NO.	DESCRIPTION	PART NO.	QTY.
1	Cylinder head	3101052	3	17	Pulley key	2N47-63*09	1
2	Allen bolt set	2B01-M06*040V	12	18	Bearing	2N35-6205Z	1
3	Inlet&Exhaust valve assembly	3B13-AC0765	3	19	Bearing seat gasket	2G06-008	1
4	Double head screw set	2B11-001-A	12	20	Bearing seat	3311036	1
5	Cylinder	3201037	3	21	Breathing cover	2321008	1
6	Cylinder gasket	2G04-003	3	22	Hexagon bolt	2B00-SM08*020	4
7	Piston ring set	3B32-65N	3	23	Oil seal	2N50-TC24*47*07	1
8	Piston set	3B31-65N	3	24	Pulley	3PBF-105A224	1
9	Rod set	3B33-H2048	2	25	Plate washer	2B30-08*35*35	1
10	Rod set	3B33-H20371	1	26	Hexagon bolt set	2B00-SM08*035AV	1
11	Crankcase	3301021	1	27	Exhaust elbow	2N06-04T04H	1
12	Oil draining plug	2N33-002	1	28	Exhaust 3-way pipe	2N09-04H04T04H4	1
13	Oil sight gauge set	2303013A	1	29	Exhaust three way pipe	2N09-04H04T04H2	1
14	Oil filling plug set	2319003A	1	30	Exhaust tube	3B2-04*190	2
15	Bearing	2N35-6205	1	31	Air filter	2140019A	3
16	Crankshaft & balancer	3304046	1	32	Filter element	2142013	3

Warning: This diagram is for your reference only. Please check with a qualified electrician for wiring to meet your local electrical wiring code.

Manufacturer assumes no responsibility for changes to factory wiring.

Electrical Circuit Diagram:



\* The breaker size (trip rating) for Circuit Breaker is suggested at 60A. For Fusible Switch (Melting Style), the 40A dual element time delay fuses are suggested. For correct rating of Breaker and Switch, please consult with a qualified electrician.

\*\* Minimum COPPER wire size : AWG12 (AWG10 is recommended.) The maximum wire length allowed: 10ft. when measured from breaker/switch (power source) to pressure switch (on unit).

\*\*\* Voltage: Single Phase 208~230V only. The voltage must be maintained at this range (208V~230V) through out entire compressor operation (from start to stop). Voltage drops below 208V or rises beyond 230V will result in pressure switch and motor failures.